

# LOCAL SOURCE PANEL

## TA-8809



### FEATURES

The TechAudio TA-8809 local source panel allow existing speaker to be used as temporary sound reinforcement and utilized in a specific area of existing public address speaker.

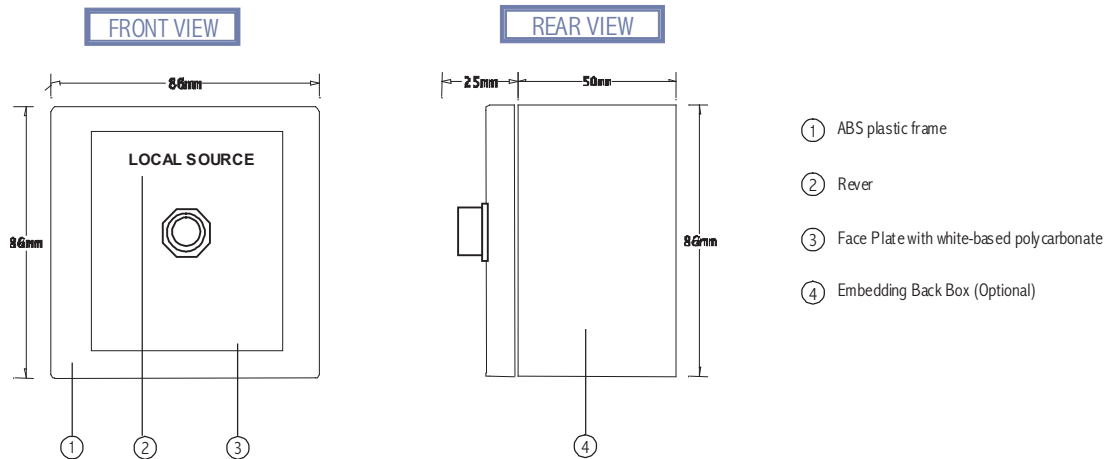
This local source panel provide emergency overriding in case of any accident happened. It is suitable for 4 wire system.

### TECHNICAL SPECIFICATIONS

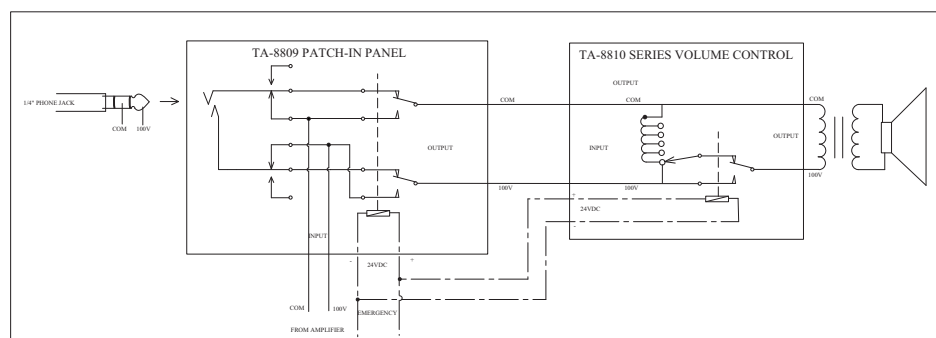
Type	Local Source Panel
Model	TA-8809
Input	100V line or source
Overriding Voltage	24VDC
Connection	1/4" Phone Jack
Dimension(mm)	86W x 86H x 45D (without back box)
Weight	300gms

Note: The Specifications are subject to change without prior notice.

### PHYSICAL



### BLOCK DIAGRAM



**TechAudio**